

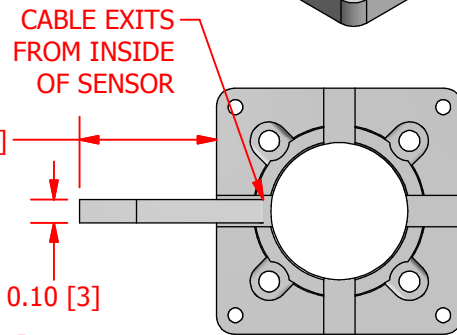
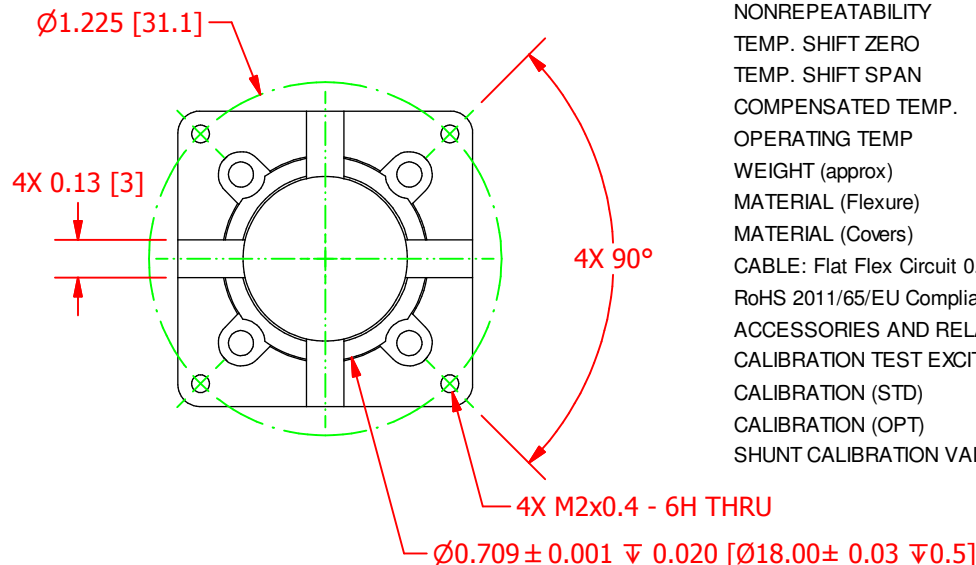
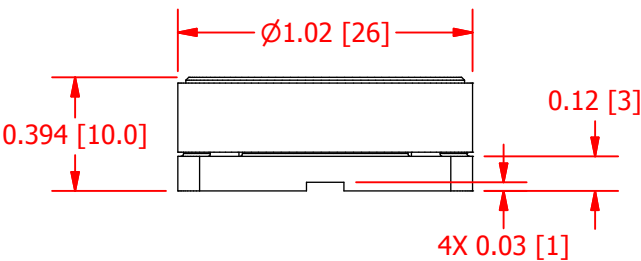
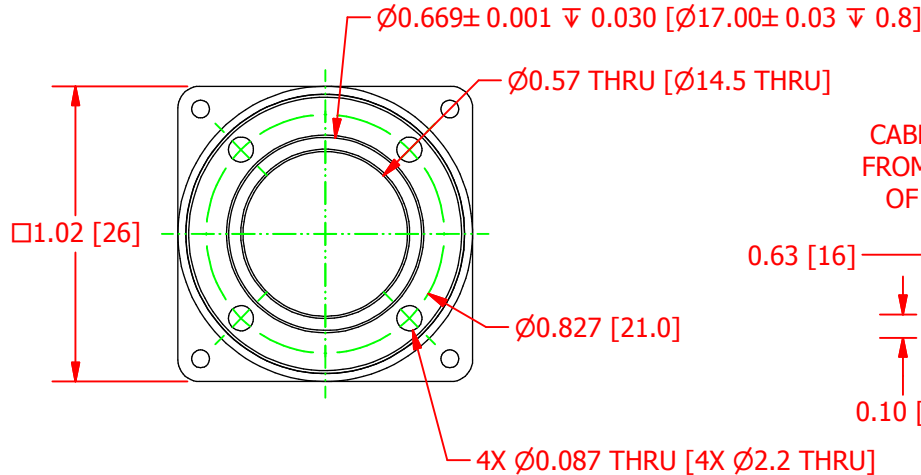
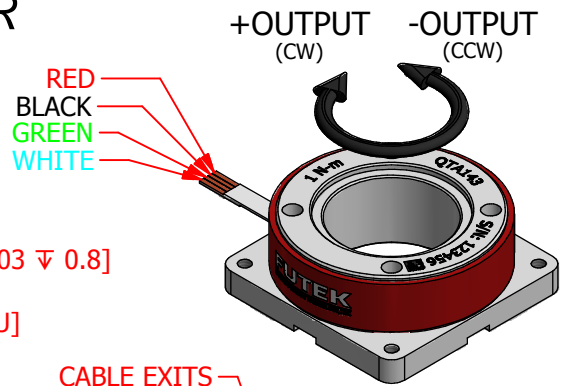
# FUTEK MODEL QTA143

ITEM NUMBER: QSH01944

# CUSTOM MICRO REACTION TORQUE SENSOR



INCH [mm]		R.O.= Rated Output	
WIRING CODE (WC1)			
+ EXCITATION	- EXCITATION	+ SIGNAL	- SIGNAL
RED	BLACK	GREEN	WHITE



### SPECIFICATIONS:

RATED OUTPUT	1.13 mV/V nom. $\Delta$
CAPACITY	0.75 N-m $\Delta$
SAFE OVERLOAD	200% of R.O. $\Delta$
ZERO BALANCE	±3% of R.O.
EXCITATION (VDC OR VAC)	10 max
BRIDGE RESISTANCE	2000 $\Omega$ nom.
NONLINEARITY	±0.5% of R.O.
HYSTERESIS	±0.5% of R.O.
NONREPEATABILITY	±0.2% of R.O.
TEMP. SHIFT ZERO	±0.002% of R.O./°F (0.004% of R.O./°C)
TEMP. SHIFT SPAN	±0.04% of Load/°F (0.072% of Load/°C)
COMPENSATED TEMP.	60 to 160°F (16 to 71°C)
OPERATING TEMP	-60 to 200°F (-51 to 93°C)
WEIGHT (approx)	0.02 lb [9.1 g]
MATERIAL (Flexure)	ALUMINUM
MATERIAL (Covers)	ALUMINUM
CABLE: Flat Flex Circuit	0.63 in, 0.5 mm Pitch, 4 Conductor (FFC)
RoHS 2011/65/EU Compliant $\Delta$	
ACCESSORIES AND RELATED INSTRUMENTS AVAILABLE	
CALIBRATION TEST EXCITATION	5 VDC
CALIBRATION (STD)	Certificate of Conformance
CALIBRATION (OPT)	5 pt. CW & CCW
SHUNT CALIBRATION VALUE	432 k $\Omega$ $\Delta$

CUSTOMER APPROVAL- COMPANY:	
CUSTOMER APPROVAL- NAME / DATE:	
REVISIONS: (Refer to dwg # revision sheet)	
A	11-02-17
B	08-02-18

## OUTLINE DRAWING

STANDARD NOTES: (Unless Otherwise Specified)  
 ALL DIMENSIONS ARE IN INCHES  
 DRAWING INTERPRETATION DIMS. PER ASME-Y14.5M  
 REMOVE BURRS AND BREAK SHARP EDGES .005 - .015  
 THREADS PER HANDBOOK H-28  
 DIMENSIONS ARE SHOWN AFTER PLATING

ANGLE: ± 1/2°  
 CHAMFER: ± 5°  
 TOLERANCE:  
 .X ± 0.1"  
 .XX ± 0.01"  
 .XXX ± 0.005"

3rd ANGLE PROJ.

This drawing is submitted solely for the information and exclusive use of the original addressee. It is not to be divulged in whole or in part, by any firm or individual without written permission from:

## FUTEK

ADVANCED SENSOR TECHNOLOGY, INC.  
 10 THOMAS, IRVINE, CA 92618 USA  
 Phone: (949) 465-0900  
 Fax: (949) 465-0905

MODEL: <b>QTA143</b>	DWG No.: <b>FO1450-B</b>
DRAWN BY: J. RUIZ	CREATED DATE: 11/1/2017
APPROVED BY: J. PARK	APPROVED DATE: 11/1/2017
CHECKED BY:	CAGE: 1X8M6 SHEET: 1 OF 1