

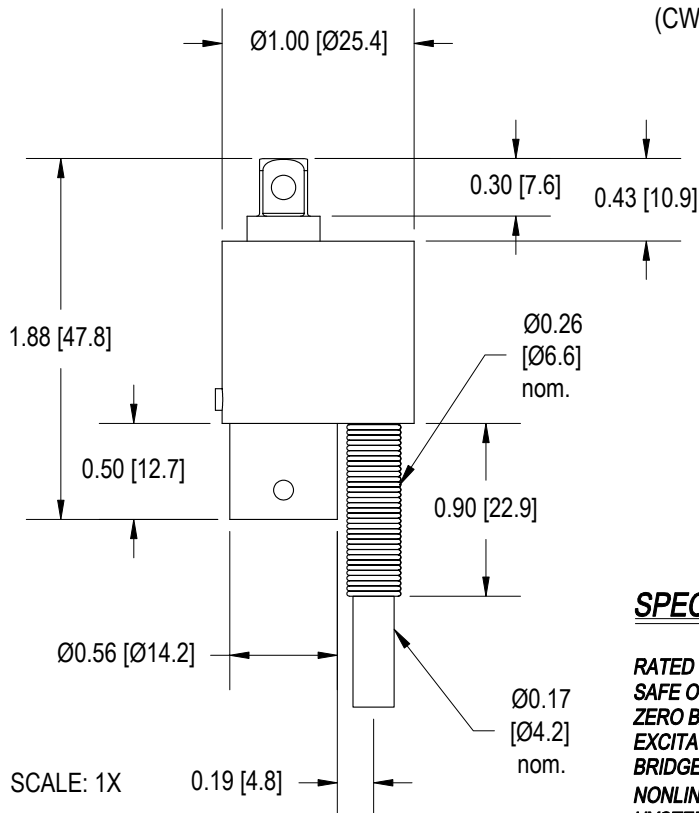
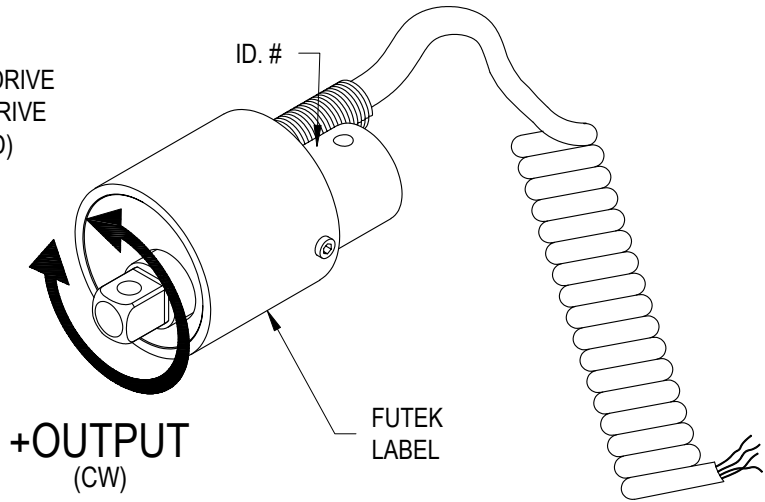
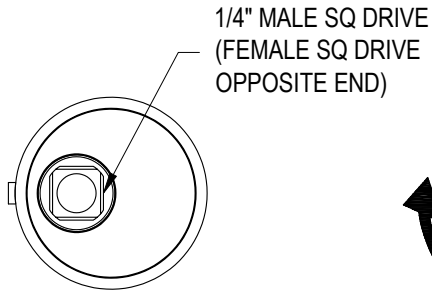
# FUTEK MODEL TAT400

# SOCKET EXTENSION REACTION TORQUE SENSOR (Previously T6010)

**Drawing Number: FI1151**

**INCH [mm] | R.O.= Rated Output**

WIRING CODE (WC4)			
+Excitation	-Excitation	+Signal	-Signal
RED	BLACK	GREEN	WHITE
+Sense	-Sense	Shield	
ORANGE	BLUE	Grounded	



STK#	CAPACITY		TORSIONAL STIFFNESS
	in-lb	Nm	in-lb/rad
FSH00713	25	3	2500
FSH00714	50	6	6200
FSH00715	100	11	14000

## SPECIFICATIONS:

<b>RATED OUTPUT</b>	2 mV/V nom.
<b>SAFE OVERLOAD</b>	150% of R.O.
<b>ZERO BALANCE</b>	±2% of R.O.
<b>EXCITATION (VDC OR VAC)</b>	18 MAX
<b>BRIDGE RESISTANCE</b>	1000 Ω nom.
<b>NONLINEARITY</b>	±0.2% of R.O.
<b>HYSTERESIS</b>	±0.2% of R.O.
<b>NONREPEATABILITY</b>	±0.1% of R.O.
<b>TEMP. SHIFT ZERO</b>	±0.01% of R.O./°F [0.018% of R.O./°C]
<b>TEMP. SHIFT SPAN</b>	±0.01% of LOAD/°F [0.018% of LOAD/°C]
<b>COMPENSATED TEMP.</b>	60 to 160°F [15 to 72°C]
<b>OPERATING TEMP.</b>	-40 to 180°F [-40 to 82°C]
<b>MATERIAL (FLEXURE)</b>	ALUMINUM (25 to 50 in-lb) 17-4PH S.S. (100 in-lb)
<b>MATERIAL (COVER)</b>	BLACK ANODIZED ALUMINUM
<b>WEIGHT</b>	6.5 oz [184 g]
<b>CABLE:</b>	#28 AWG, 6 Conductor, Retractable PVC Cable 10 ft [3 m] Long Extended
<b>ACCESSORIES AND RELATED INSTRUMENTS AVAILABLE</b>	
<b>CALIBRATION (STD)</b>	5 pt. CW; 150KΩ SHUNT CAL. VALUE
<b>CALIBRATION TEST EXCITATION</b>	10 VDC