

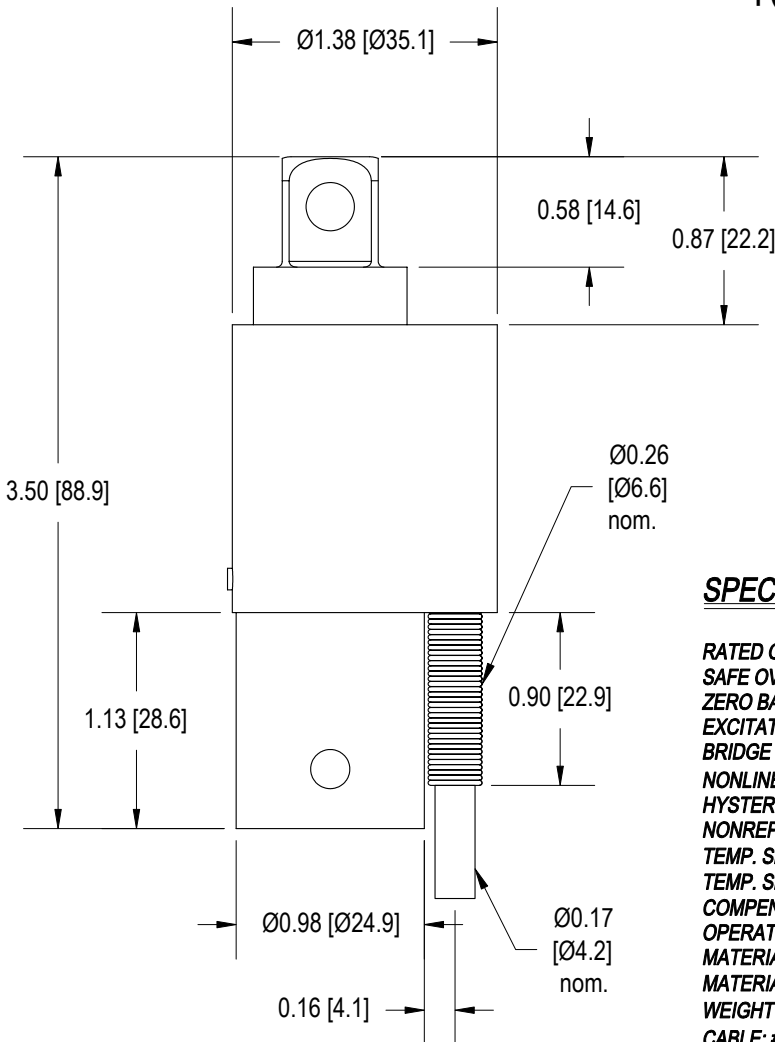
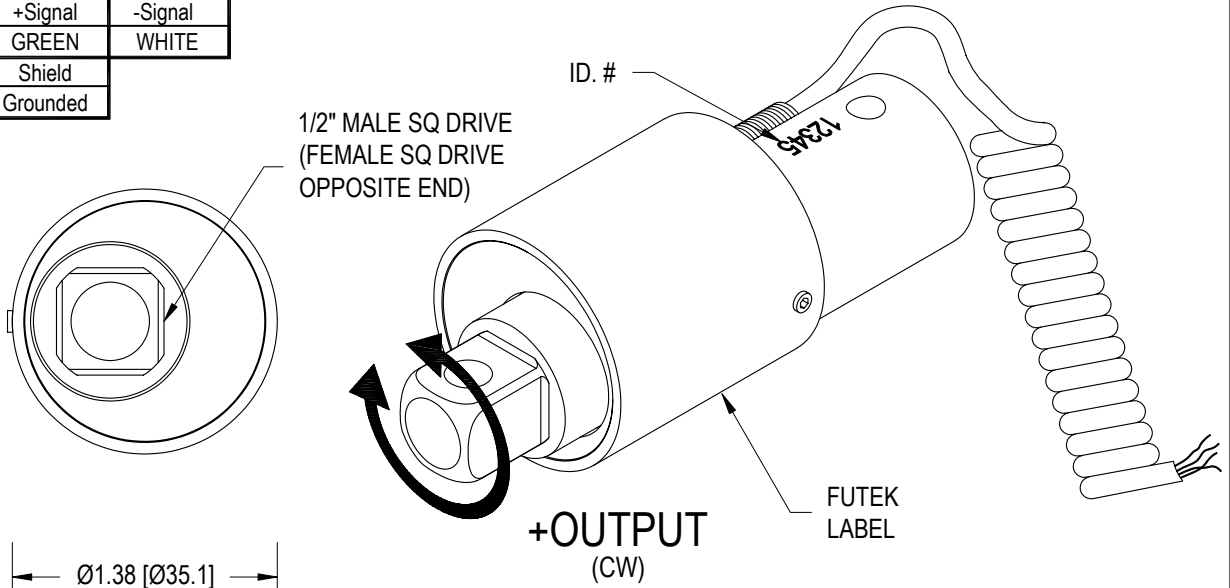
# FUTEK MODEL TAT420

# SOCKET EXTENSION REACTION TORQUE SENSOR (Previously T6010)

Drawing Number: FI1153

INCH [mm] | R.O. = Rated Output

WIRING CODE (WC4)			
+Excitation	-Excitation	+Signal	-Signal
RED	BLACK	GREEN	WHITE
+Sense	-Sense	Shield	
ORANGE	BLUE	Grounded	



STK#	CAPACITY		TORSIONAL STIFFNESS
	in-lb	Nm	in-lb/rad
FSH00718	1500	170	2.6 X 10 <sup>5</sup>
FSH00719	2500	283	4.8 X 10 <sup>5</sup>

### SPECIFICATIONS:

RATED OUTPUT	2 mV/V nom.
SAFE OVERLOAD	150% of R.O.
ZERO BALANCE	±2% of R.O.
EXCITATION (VDC OR VAC)	18 MAX
BRIDGE RESISTANCE	1000 Ω nom.
NONLINEARITY	±0.2% of R.O.
HYSTERESIS	±0.2% of R.O.
NONREPEATABILITY	±0.1% of R.O.
TEMP. SHIFT ZERO	±0.01% of R.O./°F [0.018% of R.O./°C]
TEMP. SHIFT SPAN	±0.01% of LOAD/°F [0.018% of LOAD/°C]
COMPENSATED TEMP.	60 to 160°F [15 to 72°C]
OPERATING TEMP.	-40 to 180°F [-40 to 82°C]
MATERIAL (FLEXURE)	17-4PH S.S.
MATERIAL (COVER)	BLACK ANODIZED ALUMINUM
WEIGHT	14 oz [197 g]
CABLE: #28 AWG, 6 Conductor, Retractable PVC Cable 10 ft [3 m] Long Extended	
ACCESSORIES AND RELATED INSTRUMENTS AVAILABLE	
CALIBRATION (STD)	5 pt. CW; 150KΩ SHUNT CAL. VALUE
CALIBRATION TEST EXCITATION	10 VDC