

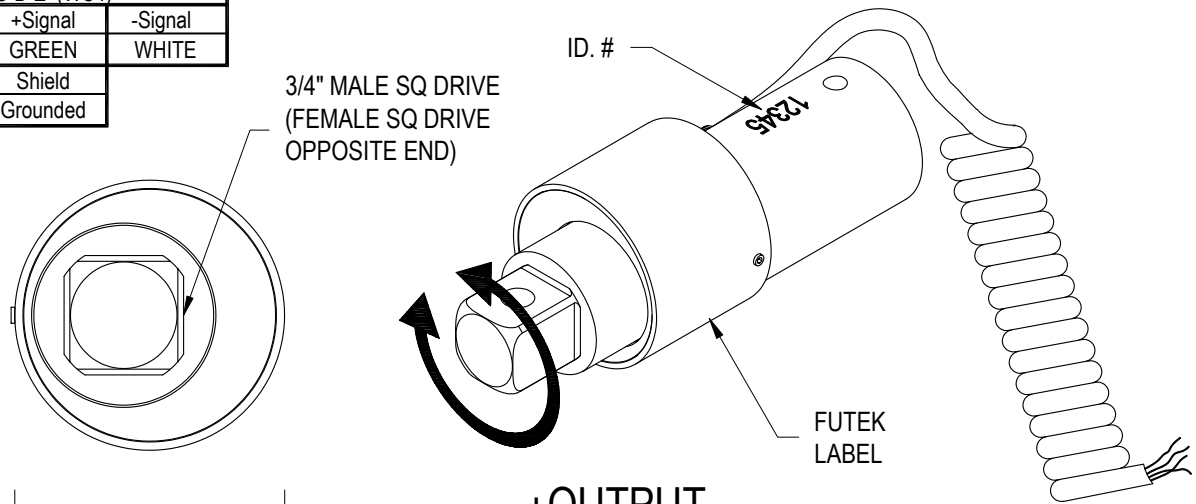
FUTEK MODEL TAT430
 STK# FSH00720

SOCKET EXTENSION REACTION TORQUE SENSOR (Previously T6010)

Drawing Number: FI1154

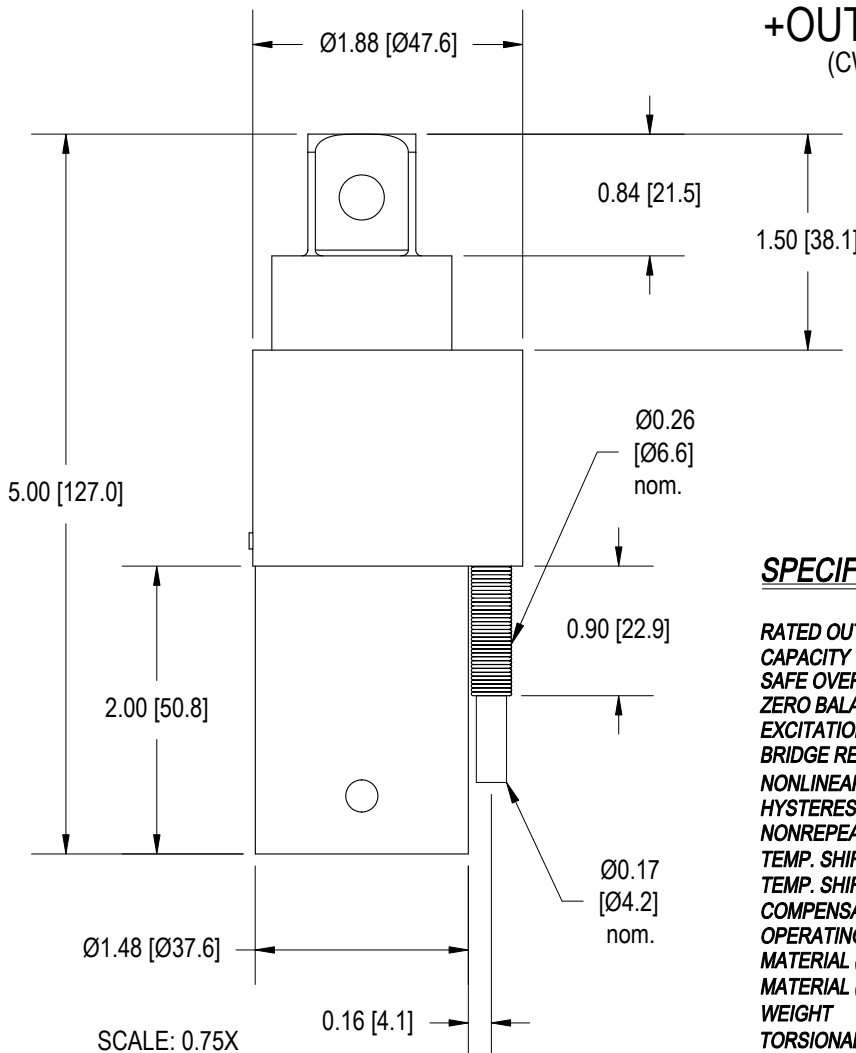
INCH [mm] | R.O.= Rated Output

WIRING CODE (WC4)			
+Excitation	-Excitation	+Signal	-Signal
RED	BLACK	GREEN	WHITE
+Sense	-Sense	Shield	
ORANGE	BLUE	Grounded	



3/4" MALE SQ DRIVE
 (FEMALE SQ DRIVE
 OPPOSITE END)

+OUTPUT
 (CW)



SCALE: 0.75X

SPECIFICATIONS:

RATED OUTPUT	2 mV/V nom.
CAPACITY	6000 in-lb [680 Nm]
SAFE OVERLOAD	150% of R.O.
ZERO BALANCE	±2% of R.O.
EXCITATION (VDC OR VAC)	18 MAX
BRIDGE RESISTANCE	1000 Ω nom.
NONLINEARITY	±0.2% of R.O.
HYSTERESIS	±0.2% of R.O.
NONREPEATABILITY	±0.1% of R.O.
TEMP. SHIFT ZERO	±0.01% of R.O./°F [0.018% of R.O./°C]
TEMP. SHIFT SPAN	±0.01% of LOAD/°F [0.018% of LOAD/°C]
COMPENSATED TEMP.	60 to 160°F [15 to 72°C]
OPERATING TEMP.	-40 to 180°F [-40 to 82°C]
MATERIAL (FLEXURE)	17-4PH S.S.
MATERIAL (COVER)	BLACK ANODIZED ALUMINUM
WEIGHT	32 oz [907 g]
TORSIONAL STIFFNESS	1.72 X 10 ⁶
CABLE: #28 AWG, 6 Conductor, Retractable PVC Cable 10 ft [3 m] Long Extended	
ACCESSORIES AND RELATED INSTRUMENTS AVAILABLE	
CALIBRATION (STD)	5 pt. CW; 150KΩ SHUNT CAL. VALUE
CALIBRATION TEST EXCITATION	10 VDC

FUTEK
 ADVANCED SENSOR TECHNOLOGY, INC.

This drawing is submitted solely for the information and exclusive use of the original addressee. It is not to be divulged in whole or in part, by any firm or individual without written permission from FUTEK

10 THOMAS
 IRVINE, CA 92618 USA
 1-800-23-FUTEK (38835)

INTERNET:
<http://www.futek.com>