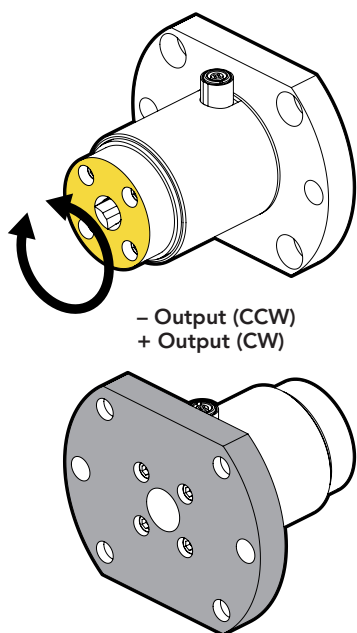




FEATURES

- Easily integrates into OEM applications
- Designed for Torque auditing
- Aluminum construction
- Built-in overload protection on lower ranges
- Strain gauge based
- Easy cable disconnect

- Active end
- Fixed end



SPECIFICATIONS

PERFORMANCE

| | |
|------------------|--------------|
| Nonlinearity | ±0.2% of RO |
| Hysteresis | ±0.2% of RO |
| Nonrepeatability | ±0.05% of RO |

ELECTRICAL

| | |
|-------------------------|---|
| Rated Output (RO) | 1 mV/V nom (5 in-oz) 2 mV/V nom (10 in-oz to 500 in-lb) |
| Excitation (VDC or VAC) | 18 max |
| Bridge Resistance | 350 Ohm nom (5 to 1000 in-oz) 700 Ohm nom (100 to 500 in-lb) |
| Connection | 4 Pin LEMO® Receptacle (EGG.0B.304.CLL) |
| Wiring Code | CC4 |

MECHANICAL

| | |
|----------------------|---|
| Weight (approximate) | 14 oz [397 g] |
| Safe Overload | 300% of RO (5 to 400 in-oz) 150% of RO (1000 in-oz to 500 in-lb) |
| Material | Aluminum |
| IP Rating | IP40 |

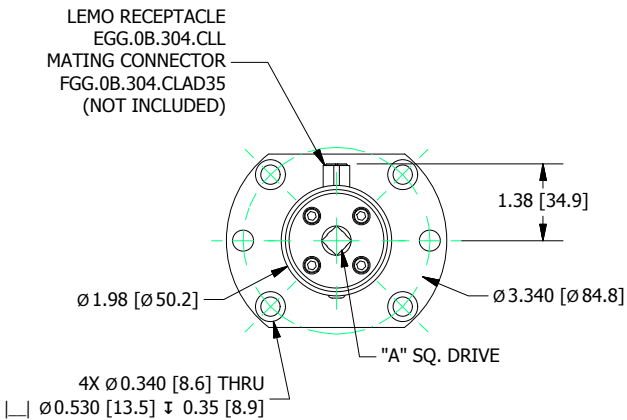
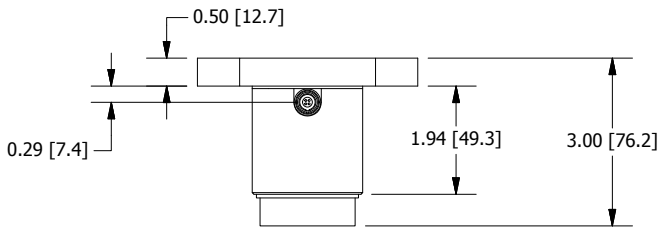
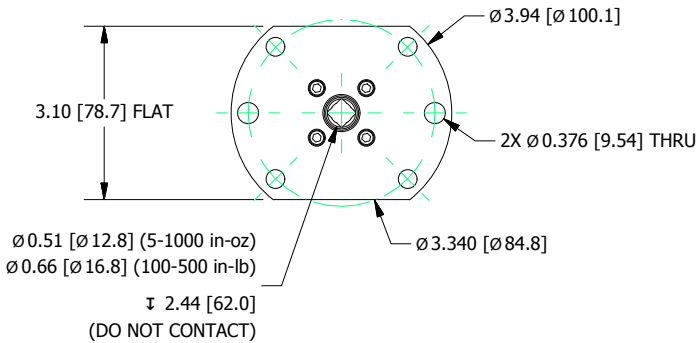
TEMPERATURE

| | |
|-------------------------|---|
| Operating Temperature | -60 to 200°F (-50 to 93°C) |
| Compensated Temperature | 60 to 160°F (15 to 72°C) |
| Temperature Shift Zero | ±0.002% of RO/°F (0.0036% of RO/°C) |
| Temperature Shift Span | ±0.002% of Load/°F (0.0036% of Load/°C) |

CALIBRATION

| | |
|-----------------------------|--|
| Calibration Test Excitation | 10 VDC |
| Calibration (standard) | 5-pt CW |
| Calibration (available) | 5-pt CW & CCW |
| Shunt Calibration Value | 60.4 kOhm (10 to 1000 in-oz) 100 kOhm (5 in-oz, 100 to 500 in-lb) |

DIMENSIONS inches [mm]



CAPACITIES

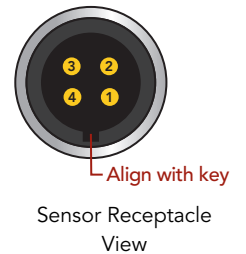
| ITEM # | in-oz | Nm | A | Torsional Stiffness in-oz/rad |
|----------|-----------|------|------|----------------------------------|
| FSH04385 | 5* | 0.04 | 1/4" | 560 |
| FSH04386 | 10* | 0.07 | | 560 |
| FSH04387 | 50* | 0.35 | | 4200 |
| FSH04388 | 160* | 1.1 | | 21000 |
| FSH04389 | 400* | 2.8 | | 62400 |
| FSH04390 | 1000* | 7.0 | 3/8" | 211900 |
| FSH04391 | 100 in-lb | 11 | | 36400 in-lb/rad |
| FSH04392 | 200 in-lb | 22 | | 61400 in-lb/rad |
| FSH04393 | 500 in-lb | 56 | | 122000 in-lb/rad |

* With overload protection

Note: For higher capacities, refer to models TFF600 and TDF600–675

LEMO 4-PIN (CC4)

| PIN | COLOR | DESCRIPTION |
|-----|-------|--------------|
| 1 | Red | + Excitation |
| 2 | Green | + Signal |
| 3 | White | - Signal |
| 4 | Black | - Excitation |



Drawing Number: FI1493

FUTEK reserves the right to modify its design and specifications without notice. Please visit <http://www.futek.com/salesterms> for complete terms and conditions.

10 Thomas, Irvine, CA 92618 USA

Tel: (949) 465-0900
Fax: (949) 465-0905

www.futek.com



U.S. Manufacturer