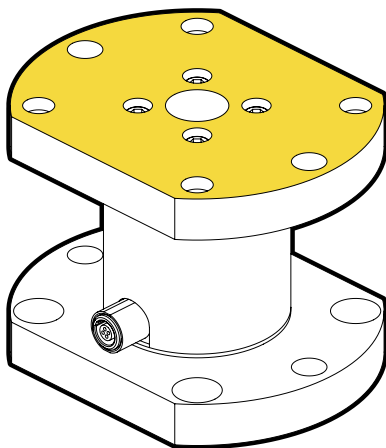


**FEATURES**

- Easily integrates into OEM applications
- Designed for Torque auditing
- Aluminum construction
- Built-in overload protection
- Strain gauge based

 Active end



**SPECIFICATIONS**

**PERFORMANCE**

Nonlinearity	±0.2% of RO
Hysteresis	±0.2% of RO
Nonrepeatability	±0.05% of RO

**ELECTRICAL**

Rated Output (RO)	1 mV/V nom (5 in-oz) 2 mV/V nom (10 in-oz to 500 in-lb)
Excitation (VDC or VAC)	18 max
Bridge Resistance	350 Ohm nom (5 to 1000 in-oz) 700 Ohm nom (100 to 500 in-lb)
Connection	4 Pin LEMO® Receptacle (EGG. 0B. 304 CLL)
Wiring/Connector Code	CC4

**MECHANICAL**

Weight (approximate)	14 oz [397 g]
Safe Overload	300% (5 to 1000 in-oz) of RO 150% (100 in-lb to 500 in-lb) of RO
Material	Aluminum
IP Rating	IP40

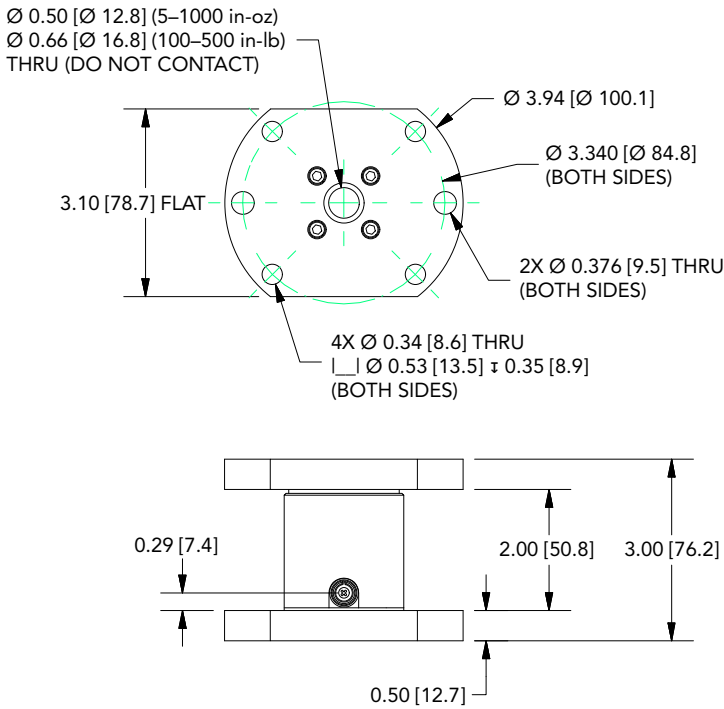
**TEMPERATURE**

Operating Temperature	-60 to 200°F (-50 to 93°C)
Compensated Temperature	60 to 160°F (15 to 72°C)
Temperature Shift Zero	±0.002% of RO/°F (0.0036% of RO/°C)
Temperature Shift Span	±0.002% of Load/°F (0.0036% of Load/°C)

**CALIBRATION**

Calibration Test Excitation	10 VDC
Calibration (standard)	5-pt CW
Calibration (available)	5-pt CW & CCW
Shunt Calibration Value	60.4 kOhm (10 to 1000 in-oz) 100 kOhm (5 in-oz, 100 to 500 in-lb)

## DIMENSIONS inches [mm]

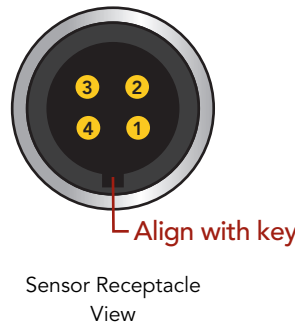


## CAPACITIES

ITEM #	in-oz	Nm	Torsional Stiffness (in-lb/rad)	Natural Frequency (Hz)
FSH04376	5	0.04	560	95
FSH04377	10	0.07	560	95
FSH04378	50	0.35	4200	260
FSH04379	160	1.1	21000	504
FSH04380	400	2.8	62400	860
FSH04381	1000	7.1	211900	1760
FSH04382	100 in-lb	11	36400 in-lb/rad	2980
FSH04383	200 in-lb	22	61400 in-lb/rad	3850
FSH04384	500 in-lb	56	122000 in-lb/rad	5400

## LEMO 4-PIN

PIN	COLOR	DESCRIPTION (CC4)
1	Red	+ Excitation
2	Green	+ Signal
3	White	- Signal
4	Black	- Excitation



Drawing Number: FI1494

FUTEK reserves the right to modify its design and specifications without notice. Please visit <http://www.futek.com/salesterms> for complete terms and conditions.

10 Thomas, Irvine, CA 92618 USA

Tel: (949) 465-0900

Fax: (949) 465-0905

[www.futek.com](http://www.futek.com)



RoHS



U.S. Manufacturer