

FUTEK MODEL TRD300

SQ DRIVE ROTARY TORQUE SENSOR

CE COMPLIANT

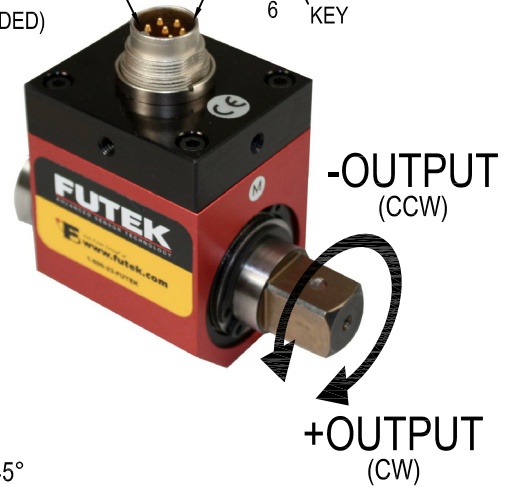
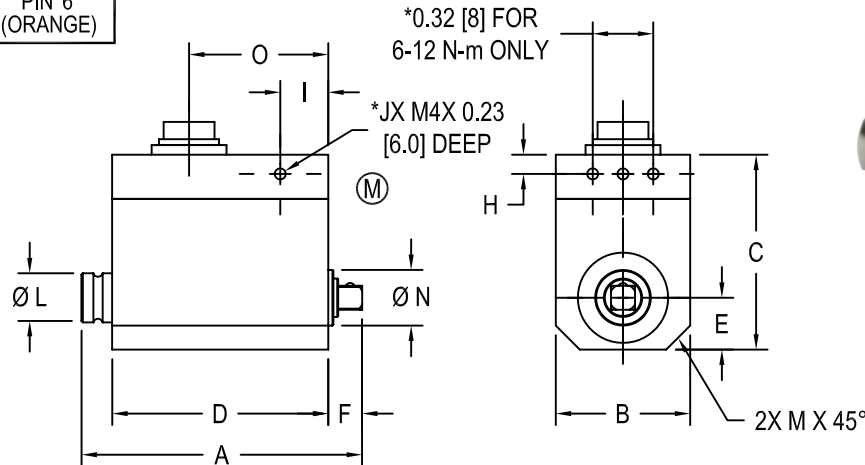
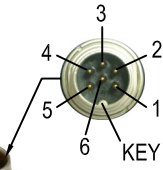
Drawing Number: FI1023-C

INCH [mm] | R.O.= Rated Output

CONNECTOR CODE
(CABLE PACKAGE WIRING CODE)

-Excitation	+Excitation	Shield	+Signal
PIN '1' (BLACK)	PIN '2' (RED)	PIN '3' (FLOATING)	PIN '4' (GREEN)
-Signal	Shunt Cal		
PIN '5' (WHITE)	PIN '6' (ORANGE)		

BINDER RECEPTACLE
09-0323-99-06
(MATING CONNECTOR
99-2022-09-06
NOT INCLUDED)

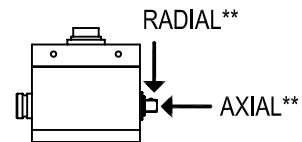


(M) = MEASURING SIDE

TORQUE SENSOR WITH SQUARE DRIVE PER DIN 3121 E,F,G & H.

* ANTI-ROTATION HOLES, NOT TO BE USED TO SUPPORT LOAD.

** MAXIMUM LOAD ALLOWED, NOT FOR MEASUREMENT.



ITEM #	Capacity in-lb N m	Drive	A	B	C	D	E	F	H	I	J	Ø L	M	Ø N	O	**MAX. AXIAL FORCE lb[N]	**MAX. RADIAL FORCE lb[N]	WEIGHT lb[kg]
FSH01983	53	6	1/4"	2.95	1.1	2.04	2.28	0.55	0.33	0.19	0.43	0.51	0.32	0.39	1.46	34	7	0.7 [0.30]
FSH01967	106	12		[75]	[28]	[52]	[58]	[14]	[8.5]	[5]	[11]	6	[13]	[8]	[10]	[37]	34	
FSH01968	221	25	3/8"	2.93	1.49	2.28	1.73	0.75	0.70	0.23	0.86	0.98	0.40	0.75	0.91	124	13.5	0.8 [0.36]
FSH01969	558	63		[74.5]	[38]	[58]	[44]	[19]	[18]	[6]	[22]	3		[25]	[19]	[23]	[550]	
FSH01970	1416	160	1/2"	3.11	1.49	2.28	1.73	0.75	0.89	0.23	0.86	0.98	0.40	0.75	0.91	405	22.5	0.9 [0.40]
FSH01971	4425	500	3/4"	[97]	[58]	[76]	[50]	[29]	[30]	[5]	[25]	3		[40]	[30]	[27]	[4000]	
FSH01972	8851	1000	1"	4.41	2.87	3.54	2.24	1.44	1.36	0.19	1.12	1.97	0.71	1.57	1.12	1350	56	2.9 [1.30]
				[112]	[73]	[90]	[57]	[36.5]	[34.5]	[5]	[28.5]	3	[50]	[40]	[28.5]	[6000]	[250]	

SPECIFICATIONS:

RATED OUTPUT 2 mV/V nom.
SAFE OVERLOAD 150% of R.O.
ZERO BALANCE ±1% of R.O.
EXCITATION (VDC OR VAC) 5 to 11
BRIDGE RESISTANCE 350 Ω nom.
NONLINEARITY ±0.2% of R.O.
HYSTERESIS ±0.1% of R.O.
NONREPEATABILITY ±0.2% R.O.
TEMP. SHIFT ZERO ±0.01% of R.O. / °F [±0.02% of R.O. / °C]
TEMP. SHIFT SPAN ±0.01% of LOAD / °F [±0.02% of Load / °C]

OPERATING TEMP. 14 to 194°F [-10 to +90°C]
COMPENSATED TEMP. 41 to 122°F [+5 to +50°C]
ROTATIONAL SPEED 3000 RPM MAX
CONNECTOR: 6 pin Binder Series #581 (09-0323-99-06)
ACCESSORIES AND RELATED INSTRUMENTS AVAILABLE
CALIBRATION (STD) Certificate of Conformance
CALIBRATION (AVAILABLE) 5pt CW and CCW
SHUNT CAL VALUE (INTERNAL) 43K ohm
CALIBRATION TEST EXCITATION 10VDC
SHUNT CALIBRATION With sensor fully connected jump Pins 1 & 6 to generate 2 mV/V nom. output.

FUTEK
ADVANCED SENSOR TECHNOLOGY, INC.

This drawing is submitted solely for the information and exclusive use of the original addressee. It is not to be divulged in whole or in part, by any firm or individual without written permission from FUTEK

10 THOMAS
IRVINE, CA 92618 USA
1-800-23-FUTEK (38835)

INTERNET:
<http://www.futek.com>