

# FUTEK MODEL TRD500

Drawing Number: FI1001-A

INCH [mm] | R.O.= Rated Output

AMPLIFIED WIRING CODE

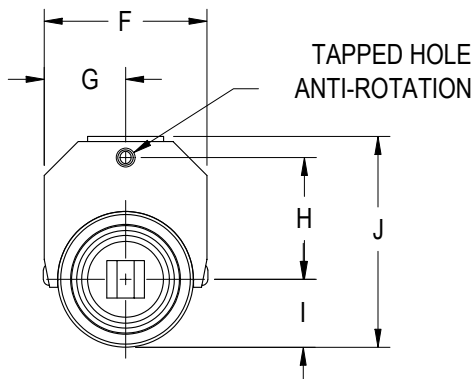
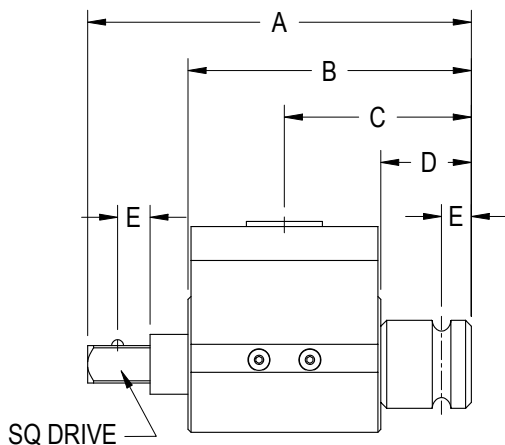
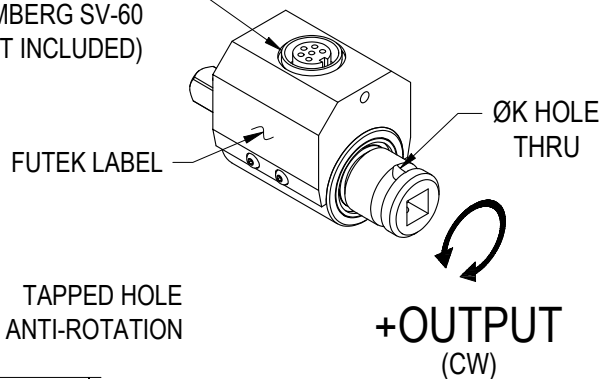
Power	Ground	Signal	*Auto ID
RED PIN 'A'	BLACK PIN 'B'	GREEN PIN 'C'	WHITE PIN 'D'

\*When used w/Futek Model IHH350

## NON-CONTACT SQUARE DRIVE ROTARY TORQUE SENSOR MAGNETOELASTIC TECHNOLOGY

### CE COMPLIANT

LUMBERG KGR-60 RECEPTACLE  
LUMBERG SV-60  
MATING CONNECTOR (NOT INCLUDED)



CAPACITY		Square Drive	A	B	C	D	E	F	G	H	I	J	K																																																																																																				
in-lb	N m																																																																																																																
8.85	1	1/4"	3.00	2.46	1.5	0.54	0.16	1.64	0.82	1.22	0.68	2.12	0.12																																																																																																				
17.7	2		[76.2]	[65.6]	[35.1]	[13.7]	[4.0]	[41.5]	[20.8]	[31.0]	[17.3]	[63.8]	[3.0]																																																																																																				
44.25	5		88.5	10	177	20	3/8"	3.15	2.65	1.68	0.72	0.22	1.64	0.82	1.22	0.68	2.12	0.20	442.5	50	[80.0]	[67.2]	[42.8]	[18.3]	[5.5]	[41.5]	[20.8]	[31.0]	[17.3]	[53.8]	[5.2]	885	100	1/2"	4.00	2.93	1.96	1.00	0.32	1.64	0.82	1.22	0.68	2.12	0.24				[101.6]	[74.3]	[49.8]	[25.4]	[8.0]	[41.5]	[20.8]	[31.0]	[17.3]	[53.8]	[6.0]	1770	200	3/4"	6.25	5.29	3.44	1.45	0.40	4.25	0.75	2.11	2.13	4.97	0.24	4425	500	[158.8]	[134.5]	[87.3]	[36.9]	[10.2]	[108.0]	[19.1]	[53.7]	[54.0]	[126.1]	[6.0]	8850	1000	1"	7.25	5.21	3.45	1.56	0.59	4.25	0.75	2.11	2.13	4.97	0.26				[184.2]	[132.2]	[87.5]	[39.7]	[15.0]	[108.0]	[19.1]	[53.7]	[54.0]	[126.1]
177	20	3/8"	3.15	2.65	1.68	0.72		0.22	1.64	0.82	1.22	0.68	2.12	0.20																																																																																																			
442.5	50		[80.0]	[67.2]	[42.8]	[18.3]	[5.5]	[41.5]	[20.8]	[31.0]	[17.3]	[53.8]	[5.2]																																																																																																				
885	100	1/2"	4.00	2.93	1.96	1.00	0.32	1.64	0.82	1.22	0.68	2.12	0.24																																																																																																				
			[101.6]	[74.3]	[49.8]	[25.4]	[8.0]	[41.5]	[20.8]	[31.0]	[17.3]	[53.8]	[6.0]																																																																																																				
1770	200	3/4"	6.25	5.29	3.44	1.45	0.40	4.25	0.75	2.11	2.13	4.97	0.24																																																																																																				
4425	500		[158.8]	[134.5]	[87.3]	[36.9]	[10.2]	[108.0]	[19.1]	[53.7]	[54.0]	[126.1]	[6.0]																																																																																																				
8850	1000	1"	7.25	5.21	3.45	1.56	0.59	4.25	0.75	2.11	2.13	4.97	0.26																																																																																																				
			[184.2]	[132.2]	[87.5]	[39.7]	[15.0]	[108.0]	[19.1]	[53.7]	[54.0]	[126.1]	[6.5]																																																																																																				

### SPECIFICATIONS:

<b>RATED OUTPUT</b>	0.5 (-F.S.) TO 4.5 (+F.S.) Volts DC nom. (±20 mV optional)
<b>SAFE OVERLOAD</b>	150% of R.O.
<b>ZERO BALANCE</b>	+2.5 VDC
<b>EXCITATION (VDC OR VAC)</b>	+5.0 Volts regulated (12 VDC for 20mV option)
<b>NONLINEARITY</b>	±0.5% of R.O.
<b>HYSTERESIS</b>	±0.5% of R.O.
<b>NONREPEATABILITY</b>	±0.25% R.O.
<b>TEMP. SHIFT ZERO</b>	±0.02% of R.O. / °F [±0.04% of R.O. / °C]
<b>TEMP. SHIFT SPAN</b>	±0.02% of R.O. / °F [±0.04% of Load / °C]
<b>OPERATING TEMP.</b>	14 to 158°F [-10 to 70°C]

<b>FREQUENCY RESPONSE</b>	10,000 Hz, minimum
<b>ROTATIONAL SPEED</b>	5000 RPM (higher RPMs available)
<b>RESISTANCE TO MAGNETIC FIELDS</b>	400 Gauss minimum
<b>INSULATION TO GROUND</b>	>100,000 M Ohms
<b>CURRENT DRAW</b>	20 mA Max
<b>CONNECTOR:</b>	6 pin Lumberg KGR-60 Receptacle
<b>ACCESSORIES AND RELATED INSTRUMENTS AVAILABLE</b>	
<b>CALIBRATION (STD)</b>	5 pt CW
<b>CALIBRATION (AVAILABLE)</b>	CCW
<b>CALIBRATION TEST EXCITATION</b>	5 VDC (12 VDC for 20 mV option)