



**FEATURES**

- USB 2.0 Communication Link
- USB Bus-Powered
- Input/Output Short Circuit Protection
- Streaming ASCII Output
- CE approved
- Supports mV/V type sensors

**SPECIFICATIONS**

**GENERAL**

Sampling Rate	Up to 1000 SPS
Bandwidth (Hz)	Sampling Rate (SPS) / 4
Internal Resolution	24 bits
Resolution (Noise Free)	See Chart
Non-Linearity (max)	± 0.005% of FSR
Output	Digital Packetized Data
Integrated Digital Filter	50 Hz/60 Hz Rejection (100 dB)
On Chip Memory	1 Kilobyte
Stored Calibration	Up to 16 Points
Weight	approx. 10 g

**STRAIN GAUGE mV/V INPUT**

Bridge Excitation	4.5 VDC
Standard Input Range	± 4 mV/V (factory default)
Optional Input Range	Up to ± 500 mV/V
Min. Bridge Resistance	50 Ohm
Max. Bridge Resistance	5000 Ohm

**INPUT**

Supply Voltage	USB Bus (5V ±5%)
Current Input Rate	90 mA with 350 ohm bridge

**CONNECTORS**

Sensor Connector	Hirose LX40-12P
Mating Connector	Hirose LX60-12S
USB 2.0 Connector	Type A Plug

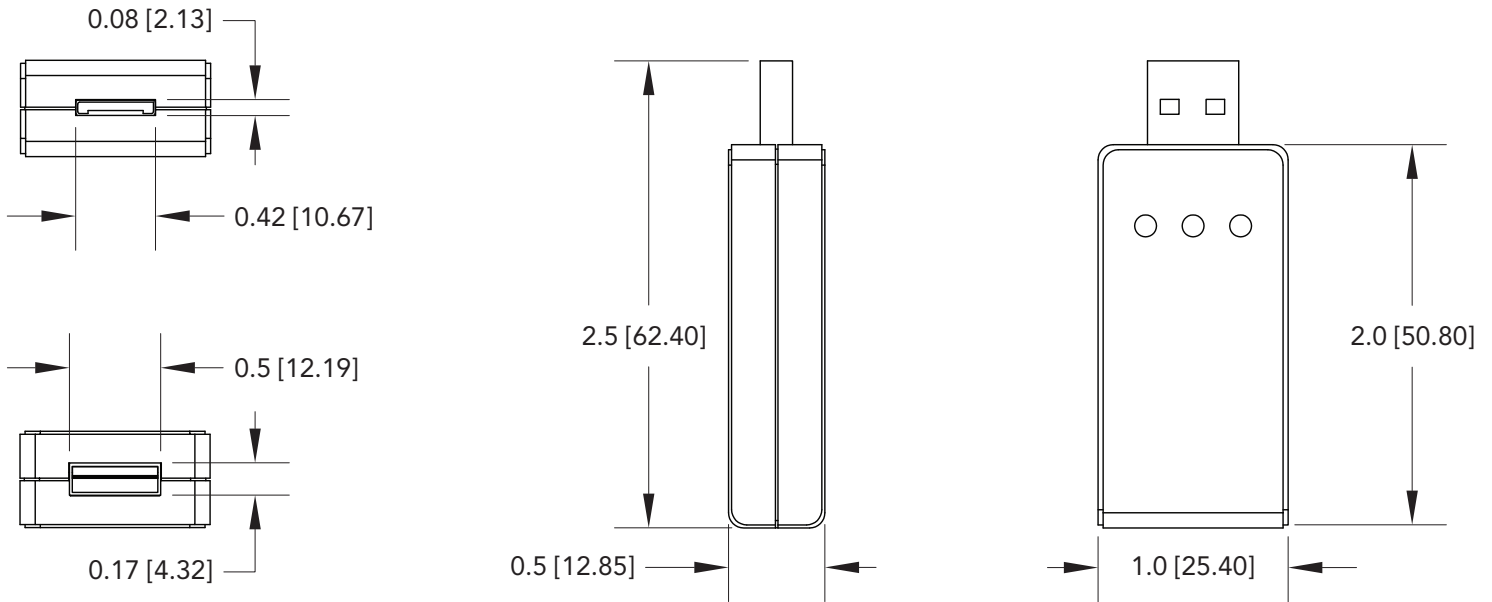
**ENVIRONMENT**

Operating Temperature	-13°F to 185°F [-25°C to 85°C]
Storage Temperature	-40°F to 257°F [-40°C to 125°C]
Temperature coefficient factor	10 ppm

**CONFORMITY**

RoHS	2011/65/EU
CE	EN 61326-1:2006

**DIMENSIONS** inches [mm]



**LED INDICATORS**

Blinking blue (10 Hz)	Module Auto-Calibration
Blinking blue (1 Hz)	Module Normal Operation
Green	USB Power
Red	USB Data Link

**SAMPLING RATE**

SAMPLES PER SECOND (SPS)	RESOLUTION (NOISE FREE BITS)
10	16
100	14
500	10
1000	8

**ACCESSORIES**

- SENSIT Software (FSH03189)**  
 14 Day Trial - Available to download on FUTEK website. A license is required, per seat, after 14 days to benefit the features such as data logging, graphing, etc. Trial version turns into basic read-out ONLY after 14 days and a product key is required to enable the features.

Drawing Number: F11379

FUTEK reserves the right to modify its design and specifications without notice. Please visit <http://www.futek.com/salesterms> for complete terms and conditions.

10 Thomas, Irvine, CA 92618 USA

Tel: (949) 465-0900

Fax: (949) 465-0905

[www.futek.com](http://www.futek.com)



RoHS



U.S. Manufacturer