

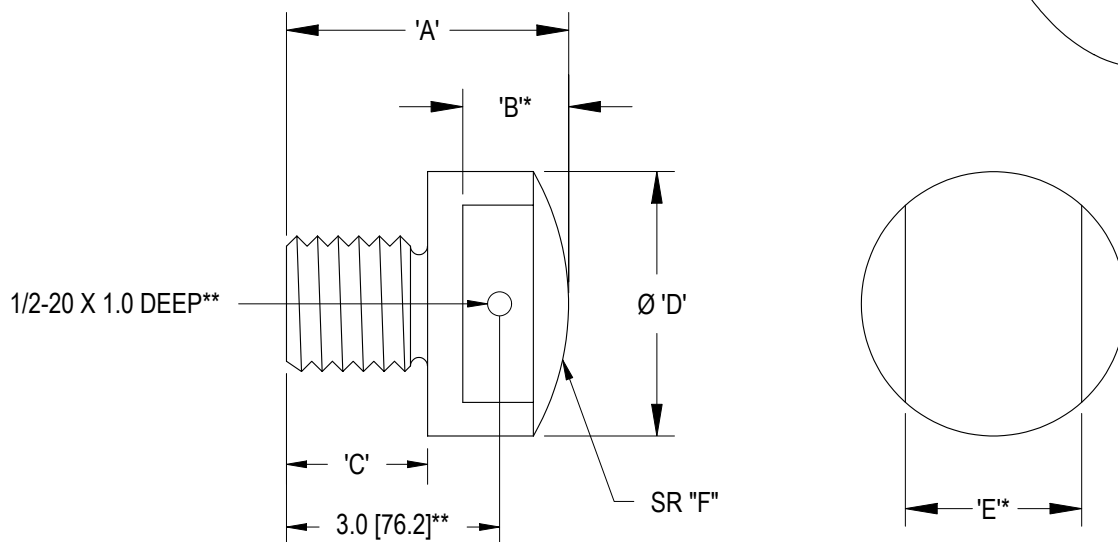
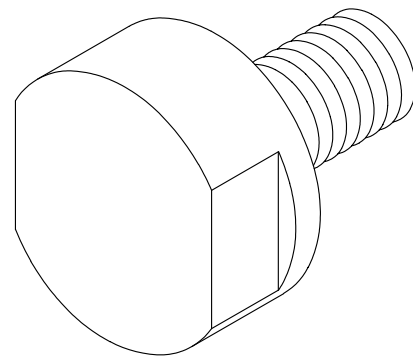
ACCESSORIES

LOAD BUTTON

Model No. XAC100

Drawing Number: F1205

INCH [mm] | Material: 17-4PH S.S. Heat Treated



*NOTE: NO FLATS ON #4-40, M3X0.5 AND 3 1/2-8 THREADS.

**NOTE: 3 1/2-8 THREAD ONLY

STOCK#	THREAD	A	B	C	D	E	F
MCP01164	#4-40*	0.30 [7.6]	----	0.10 [2.5]	0.23 [5.8]	----	0.38 [9.5]
MCP00952	#10-32	0.47 [11.9]	0.22 [5.6]	0.22 [5.6]	0.50 [12.7]	0.38 [9.7]	0.50 [12.7]
MCP00953	1/4-28	0.47 [11.9]	0.22 [5.6]	0.22 [5.6]	0.50 [12.7]	0.38 [9.7]	0.50 [12.7]
MCP01758	3/8-16	0.75 [19.1]	0.31 [7.9]	0.31 [7.9]	0.75 [19.1]	0.63 [16.0]	3.0 [76.2]
MCP00954	3/8-24	0.75 [19.1]	0.31 [7.9]	0.31 [7.9]	0.75 [19.1]	0.63 [16.0]	3.0 [76.2]
MCP00955	1/2-20	0.94 [23.9]	0.38 [9.7]	0.44 [11.2]	0.75 [19.1]	0.63 [16.0]	3.0 [76.2]
MCP00956	5/8-18	1.31 [33.3]	0.44 [11.2]	0.63 [16.0]	1.13 [28.7]	0.75 [19.1]	5.0 [127.0]
MCP00957	3/4-16	1.31 [33.3]	0.44 [11.2]	0.63 [16.0]	1.13 [28.7]	0.75 [19.1]	5.0 [127.0]
MCP00958	1-14	1.69 [42.9]	0.56 [14.2]	0.88 [22.4]	1.48 [37.6]	1.25 [31.8]	10.0 [254.0]
MCP00959	1 1/4-12	2.30 [58.4]	0.63 [6.0]	1.13 [28.7]	1.98 [50.3]	1.75 [44.5]	15.0 [381.0]
MCP00960	1 1/2-12	2.38 [60.5]	0.75 [19.1]	1.38 [35.1]	2.25 [57.2]	2.00 [50.8]	20.0 [508.0]
MCP00961	1 3/4-12	2.50 [63.5]	0.75 [19.1]	1.50 [38.1]	2.48 [63.0]	2.00 [50.8]	25.0 [635]
MCP00962	2 3/4-8	4.00 [101.6]	1.00 [25.4]	2.50 [63.5]	4.00 [101.6]	3.00 [76.2]	30.0 [762]
MCP01280	3 1/2-8*	4.00 [101.6]	----	2.00 [50.8]	5.60 [142.2]	----	30.0 [762]
MCP01165	M3 X 0.5*	0.30 [7.6]	----	0.10 [2.5]	0.23 [5.8]	----	0.38 [9.5]
MCP00963	M6 X 1	0.47 [11.9]	0.22 [5.6]	0.22 [5.6]	0.50 [12.7]	0.38 [9.7]	0.50 [12.7]
MCP00964	M10 X 1.5	0.75 [19.1]	0.31 [7.9]	0.31 [7.9]	0.75 [19.1]	0.63 [16.0]	3.0 [76.2]
MCP00965	M12 X 1.75	0.94 [23.9]	0.38 [9.7]	0.44 [11.2]	0.75 [19.1]	0.63 [16.0]	3.0 [76.2]
MCP00966	M16 X 2	1.31 [33.3]	0.44 [11.2]	0.63 [16.0]	1.13 [28.7]	0.75 [19.1]	5.0 [127.0]
MCP00967	M33 X 2	2.38 [60.8]	0.75 [19.1]	1.38 [35.1]	2.25 [57.2]	2.00 [50.8]	20.0 [508.0]
MCP00968	M36 X 3	2.38 [60.8]	0.75 [19.1]	1.38 [35.1]	2.25 [57.2]	2.00 [50.8]	20.0 [508.0]