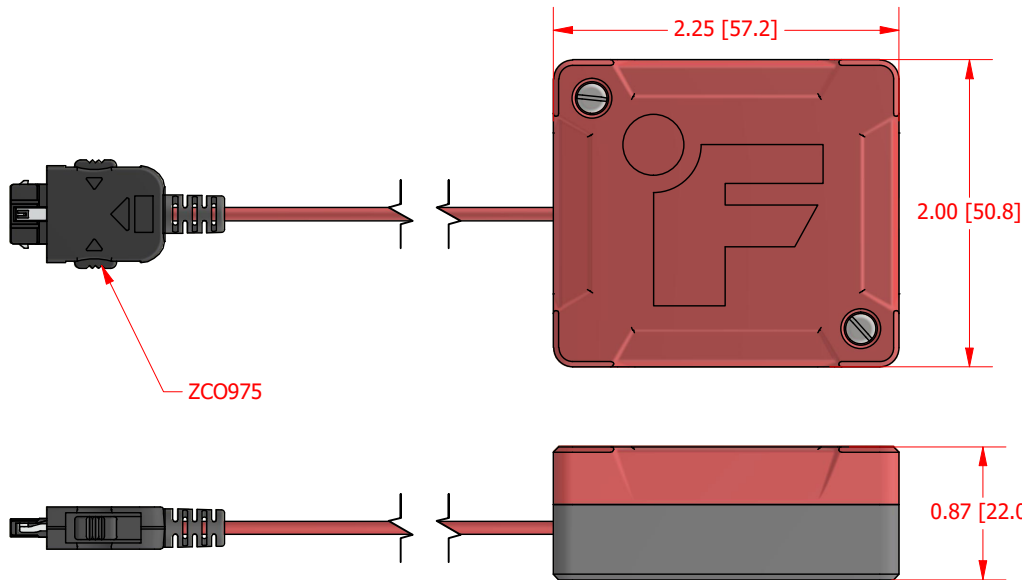


# FUTEK MODEL ZAB100

ITEM NUMBER: FSH04743

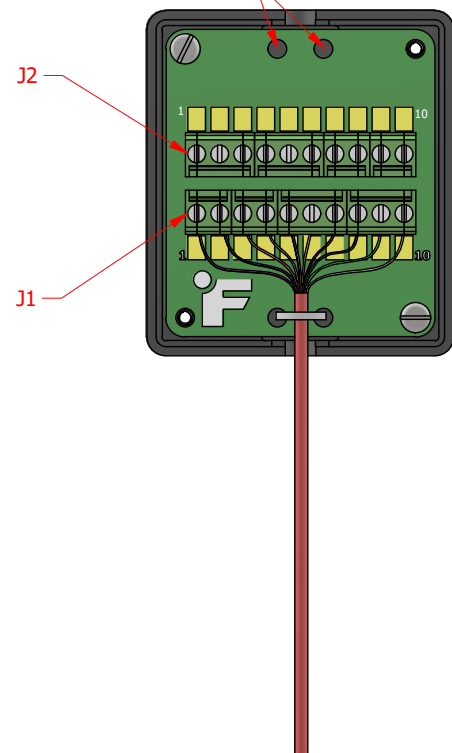
## USB Screw Terminal Adapter Board to 10 Pin Hirose

INCH [mm] | R.O.= Rated Output



PIN FUNCTION		
PIN NUMBER (J1/J2)	COLOR CODE (J1)	FUNCTION
1	PURPLE	GND
2	BLUE	TEDS GND
3	ORANGE	TEDS DATA
4	GREY	-RTD
5	BROWN	+RTD
6	YELLOW	CHASSIS
7	RED	+E
8	BLACK	-E
9	GREEN	+S
10	WHITE	-S

Holes for cable ties/stress relief



### Features:

- Solder pad and screw terminal connections
- Straight through connections from J1 to J2 (Pad and Terminal)

CUSTOMER APPROVAL- COMPANY:

CUSTOMER APPROVAL- NAME / DATE:

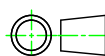
REVISIONS: (Refer to dwg # revision sheet)

## OUTLINE DRAWING

STANDARD NOTES: (Unless Otherwise Specified)

ALL DIMENSIONS ARE IN INCHES  
DRAWING INTERPRETATION DIMS. PER ASME-Y14.5  
REMOVE BURRS AND BREAK SHARP EDGES .005 - .015  
THREADS PER HANDBOOK H-28  
DIMENSIONS ARE SHOWN AFTER PLATING

3rd ANGLE PROJ.



ANGLE:  
± 1/2°

CHAMFER:  
± 5°

TOLERANCE:  
.X ± 0.1"  
XX ± 0.01"  
.XXX ± 0.005"

# FUTEK

www.futek.com

This drawing, INCLUDING ALL INFORMATION DEPICTED THEREON (COLLECTIVELY, "Drawing"), is FUTEK's property. It is provided solely for the information and exclusive use of the original addressee. EXCEPT AS EXPRESSLY APPROVED BY FUTEK, YOU MAY NOT REPRODUCE OR SHARE this Drawing, in whole or part, with any OTHER firm or individual and without this legend appearing thereon.

MODEL: **ZAB100**

DRAWN BY: P. THAKUR

APPROVED BY: FARSHID A

CHECKED BY:

DWG No.: **F01613-0**

CREATED DATE: 10/18/2022

APPROVED DATE: 10/18/2022

CAGE: 1X8M6 SHEET: 1 OF 1