



VARIATIONS

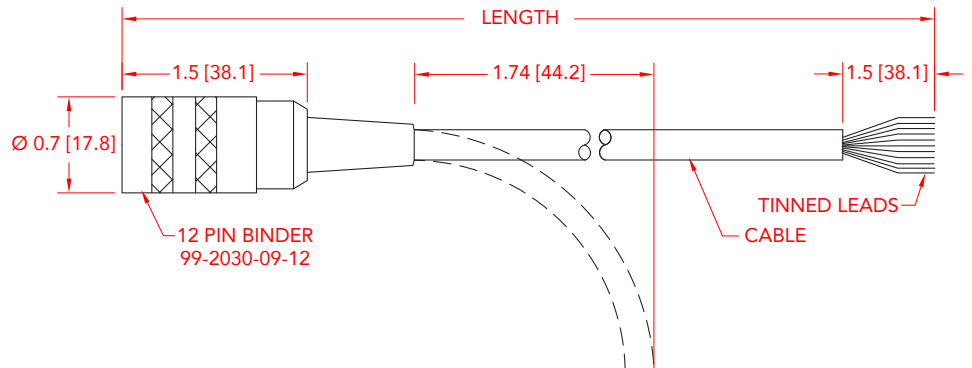
ITEM #	LENGTH [FT]	CABLE	SPECIFICATIONS
FSH04025	10	30 AWG, 10 conductor braided shielded polyurethane Diameter: 0.174 in [4.4 mm] Cable Minimum Bend Radius: 1.74 in [44.2 mm]	Temperature: -40 to 176°F -40 to 80°C IP RATING: IP50
FSH04026	30		
FSH04095	100		

WIRING CODE

PIN	COLOR	DESCRIPTION
A	YELLOW	GND (Shunt Cal)
B	BLUE	Signal (Angle 1)
C	GREEN	Signal (Torque)
D	WHITE	GND (Torque)
E	BLACK	Return (Sensor, Angle)
F	RED	Power (Sensor)
G	BROWN	Signal (Angle 2)
H	ORANGE	Power (Angle)
J		N/C
K	PURPLE	Power (Shunt Cal)
L		N/C
M		Shield



DIMENSIONS inches [mm]



Drawing Number: FI1105-B

FUTEK reserves the right to modify its design and specifications without notice. Please visit <http://www.futek.com/salesterms> for complete terms and conditions.

10 Thomas, Irvine, CA 92618 USA

Tel: (949) 465-0900

Fax: (949) 465-0905

www.futek.com



U.S. Manufacturer