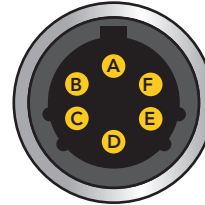


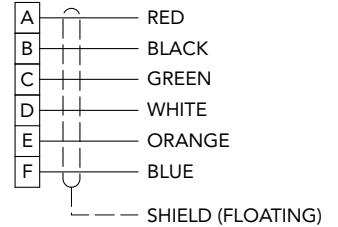


WIRING CODE - FOR SENSOR CONNECTIONS SIDE

PIN	COLOR
A	RED
B	BLACK
C	GREEN
D	WHITE
E	ORANGE
F	BLUE

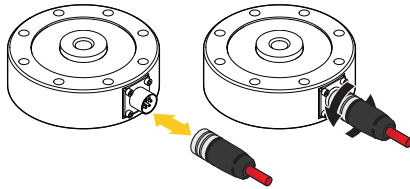


Front View of Connector

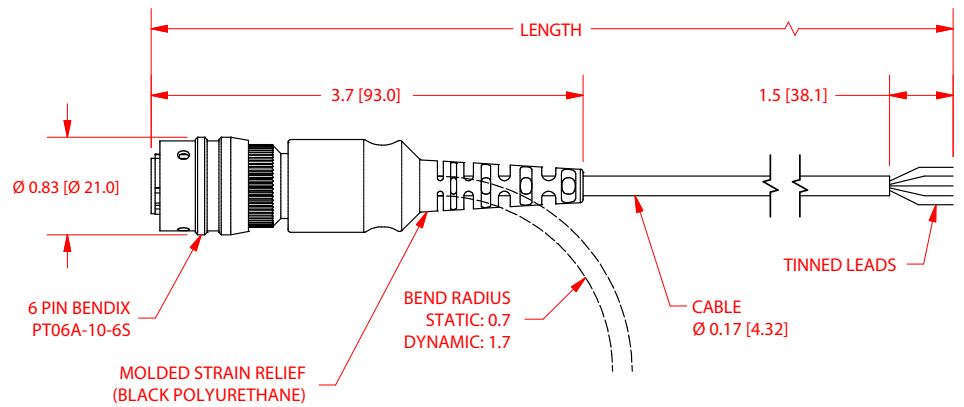


FEATURES

- 95% Braided Shield coverage for optimal EMI protection
- Easily inserts and twists to secure cable
- Keyed to ensure proper mate and pin alignment
- Flexible Polyurethane Cable with molded strain relief



DIMENSIONS inches [mm]



VARIATIONS

ITEM #	LENGTH [FT]	CABLE/CONNECTORS	MATES TO	TEMPERATURE	SPECIFICATIONS
FSH01757	15	ZCC950 to Cable Assembly	Flying Leads (Bare Wires)	-40 to 176°F (-40 to 80°C)	6 Pin Bendix PT06A-10-6S-SR to Cable Assembly, IP65, Material - Polyurethane, 28 AWG 6 Conductors, Braided Shielded, RoHS
FSH02434	30				
FSH04325	100				
FSH04476	15	ZCC950 to Binder Male Plug 99 5129 00 12	IHH500/USB520	-40 to 158°F (-40 to 70°C)	
FSH04475	15	ZCC950 to Binder Male Plug 99 5129 00 12 with TEDS (IEEE1451.4)	IHH500 w/ TEDS (IEEE1451.4)*		
FSH04477	15	ZCC950 to 12 Pin Hirose	USB215/USB220		
FSH04742	15	ZCC950 to 10 Pin Hirose	USB225		
FSH04744	15	ZCC950 to 10 Pin Hirose (for CC1T models with TEDs)			

* TEDs chip inside binder plug must be mated to sensor S/N when mating system together

Drawing Number: FI1111-E

FUTEK reserves the right to modify its design and specifications without notice. Please visit <http://www.futek.com/salesterms> for complete terms and conditions.

10 Thomas, Irvine, CA 92618 USA
Tel: (949) 465-0900

www.futek.com



U.S. Manufacturer