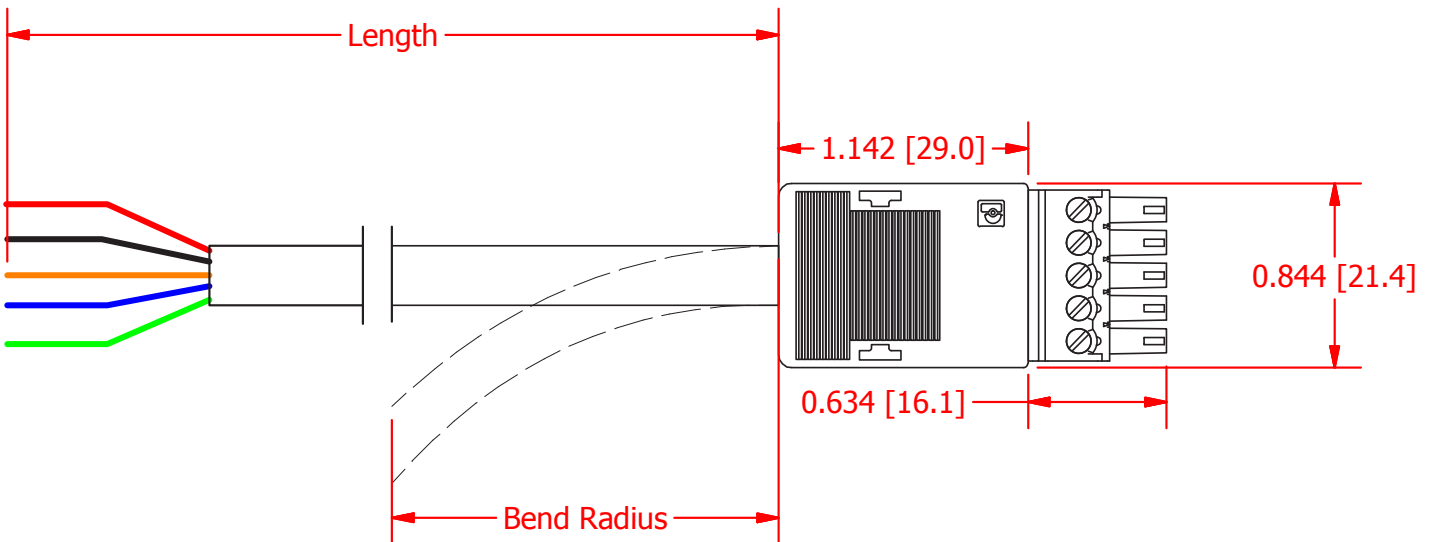


**POWER SIDE CONNECTIONS**

PIN	DESCRIPTION	COLOR
1	Power Supply	Red
2	Ground (Power Ground/Shield)	Black
3	Shunt (Remove Connection)	Orange
4	Ground (Output Ground/Shield)	Blue
5	+ Voltage Output/Current Output	Green

CABLE	SPECIFICATIONS	LENGTH [FT]	BEND RADIUS
28 AWG, 6 Conductor Braided Shield Polyurethane Cable	Cable Temperature: -40 to +176°F -40 to +80°C	10	Minimum bend radius is 10 times the diameter of the cable
Diameter 0.165" ±0.005			

**DIMENSIONS inches [mm]**



Drawing Number: FI1410

FUTEK reserves the right to modify its design and specifications without notice. Please visit <http://www.futek.com/salesterms> for complete terms and conditions.

10 Thomas, Irvine, CA 92618 USA

Tel: (949) 465-0900

Fax: (949) 465-0905

[www.futek.com](http://www.futek.com)



U.S. Manufacturer