

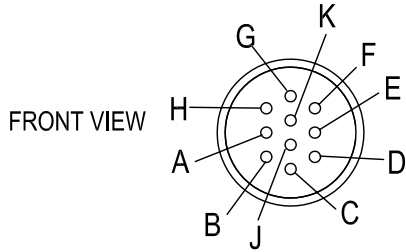
FUTEK MODEL ZCC980

10 Pin Bendix To Cable Assembly

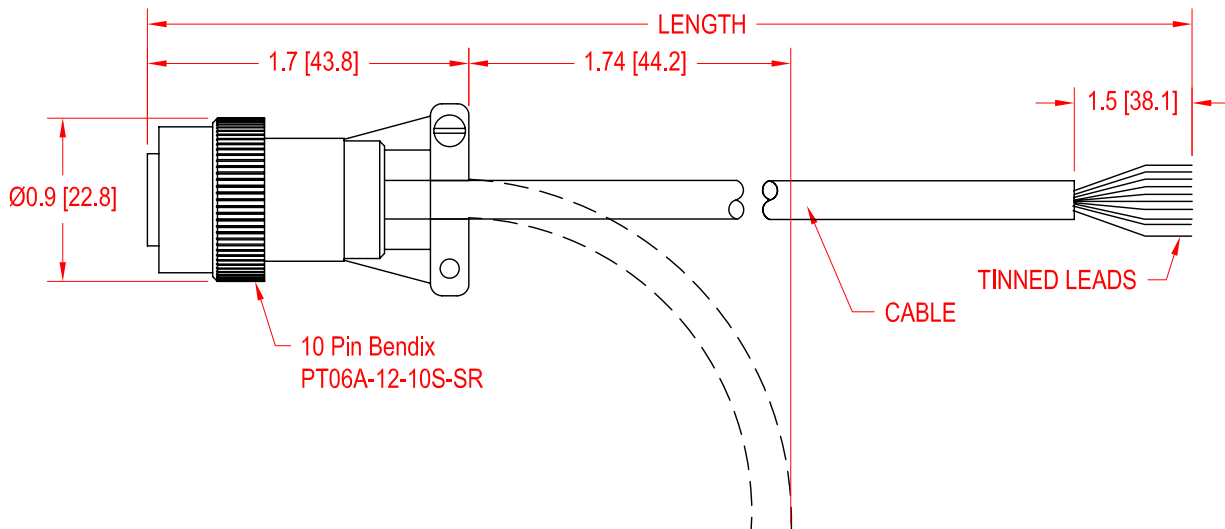
Drawing Number: FI1172-B

FOR FUTEK MODEL TRD305

INCH [mm]



PIN	Wiring Code
A	+EXCITATION (RED)
B	-EXCITATION (BLACK)
C	+SIGNAL (GREEN)
D	-SIGNAL (WHITE)
E	GND Angle (YELLOW)
F	5V Excitation Angle (ORANGE)
G	OUTPUT ANGLE1 (BLUE)
H	OUTPUT ANGLE2 (BROWN)
J	-
K	SHUNT CAL (PURPLE) SHIELD (FLOATING)



ITEM #	LENGTH	CABLE	SPECIFICATIONS
FSH02229	5 ft	30 AWG, 10 CONDUCTOR BRAIDED SHIELDED POLYURETHANE	TEMP: -40° to 176°F [-40° to 80°C]
FSH01602	10 ft		
FSH02438	15 ft	DIAMETER: 0.174 [4.4]	IP RATING IP50
FSH02230	20 ft		
FSH02231	30 ft	CABLE MINIMUM BEND RADIUS: 1.74 [44.2]	
FSH02232	50 ft		
FSH02233	100 ft		