

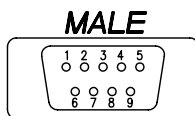
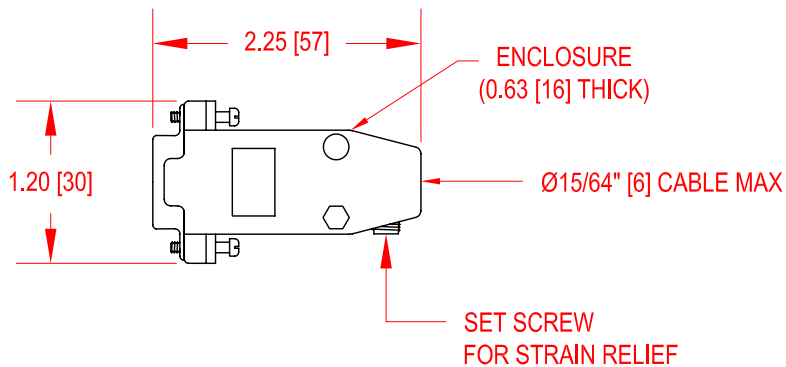
FUTEK MODEL ZC0920

Drawing Number: FI1316

INCH [mm]

DB9 MALE CONNECTOR W/ TEDS

FOR CONNECTION WITH FUTEK MODEL IPM490/500 & IBT490/500



PIN#	6 CONDUCTOR	4 CONDUCTOR	3 CONDUCTOR (VDC)	2 CONDUCTOR (mA)
1	+SIGNAL (GREEN)	+SIGNAL (GREEN)	+SIGNAL (GREEN)	+SIGNAL (GREEN)
2	+EXC (RED)	+EXC (RED)	+EXC (RED)	+EXC (RED)
3	JUMP TO PIN4	N/C	N/C	N/C
4	+SENSE (ORANGE)	JUMP TO PIN2	N/C	N/C
5	TEDS DATA	TEDS DATA	TEDS DATA	TEDS DATA
6	-SIGNAL (WHITE)	-SIGNAL (WHITE)	N/C	N/C
7	-EXC (BLACK)	-EXC (BLACK)	COMMON (BLACK)	N/C
8	-SENSE (BLUE)	JUMP TO PIN7	N/C	N/C
9	TEDS GND	TEDS GND	TEDS GND	TEDS GND