

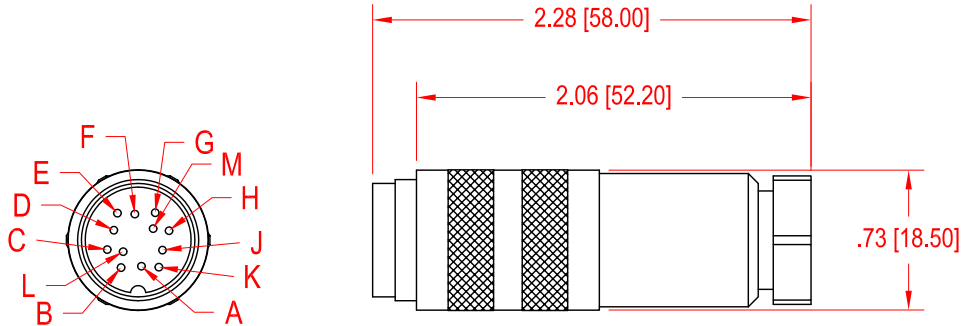
FUTEK MODEL ZCO930

Drawing Number: FI1345

INCH [mm]

# BINDER W/ TEDS

FOR CONNECTION WITH FUTEK MODEL IHH500



## 12 PIN BINDER MATING CONNECTOR

99 5129 00 12

PIN	CODE	DESCRIPTION
A	+E	+EXCITATION
B	+S	+SIGNAL
C	-E	-EXCITATION/ TEDS RETURN
D	-S	-SIGNAL
E	TEDS_IO	TEDS DATA
F	24_OUT	24V OUTPUT
G	GND_OUT	GROUND
H	5_OUT	5V OUTPUT
J	-V	-V FROM SENSOR
K	+V	+V FROM SENSOR
L	LEADING PULSE	FROM SENSOR
M	LAGGING PULSE	FROM SENSOR