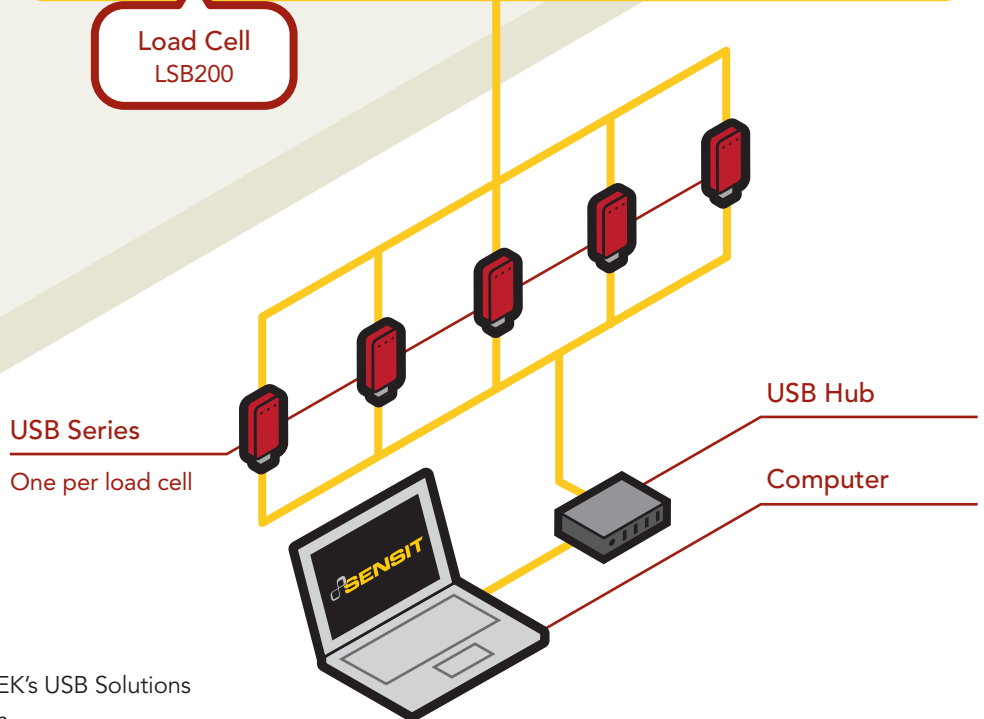


Load Cell  
LSB200



**PRODUCTS IN USE**

Miniature S-Beam Jr. (LSB200) paired with FUTEK's USB Solutions for monitoring tension force and data collection.

**APPLICATION SUMMARY**

Wire tension measurement is an integral part for manufacturers of fibers, cables, and even textile fabrics. This method of measurement allows manufactures to ensure their products fit their requirements.

**Sensor Solution Source**

Load · Torque · Pressure · Multi Axis · Calibration · Instruments · Software

[www.futek.com](http://www.futek.com)



U.S. Manufacturer