



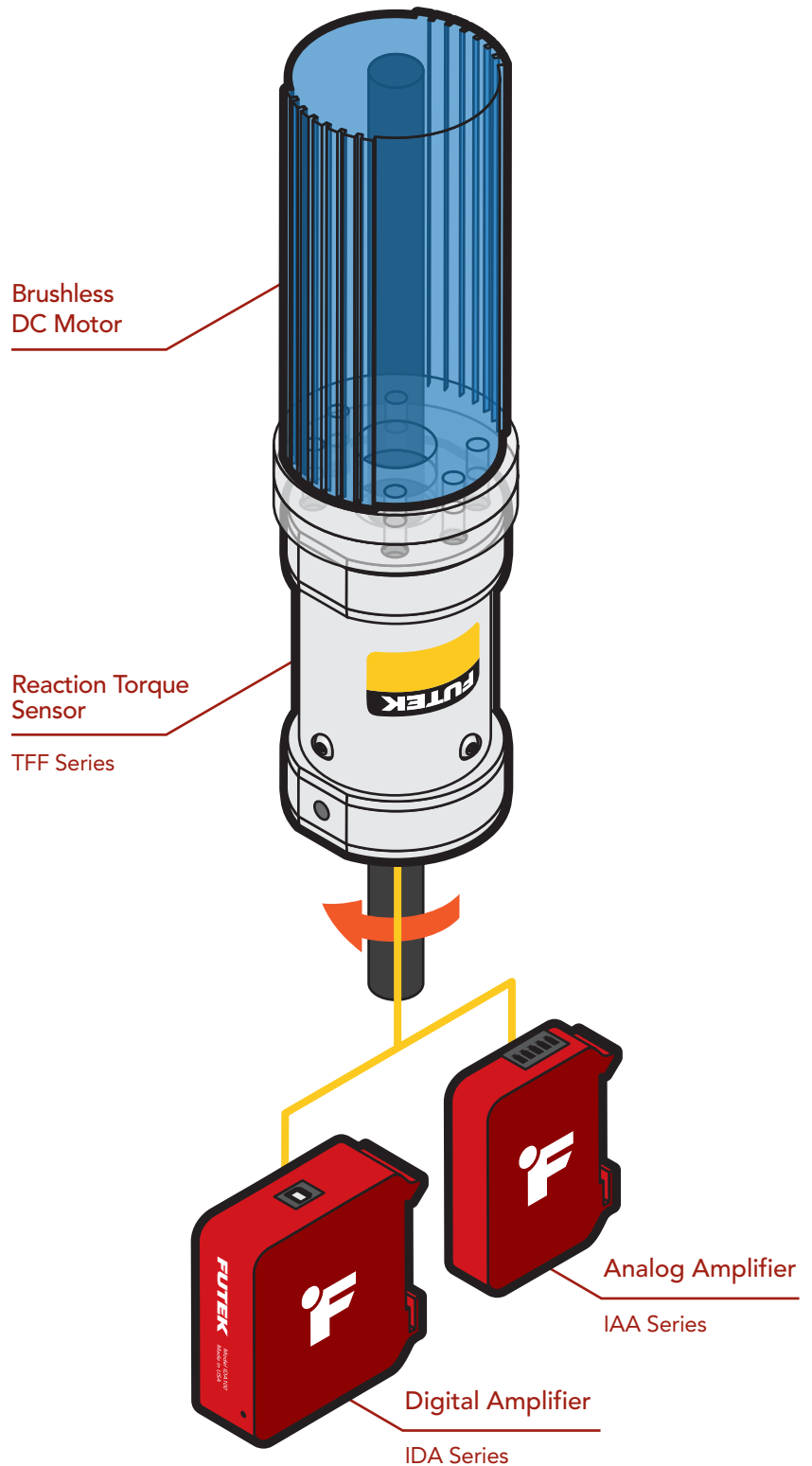
APPLICATION SUMMARY

Reaction torque sensors are often used as auditing and monitoring tools. This application utilizes the FUTEK TFF Series to measure the reaction torque produced by a miniature electric DC (brushed/brushless) or AC motor.

PRODUCTS IN USE

One Reaction Torque Sensor (TFF Series) paired with Instrumentation (IAA series analog amplifier or the IDA100 digital amplifier).

All FUTEK application illustrations are strictly conceptual. Please contact us with questions.



Sensor Solution Source

Load · Torque · Pressure · Multi Axis · Calibration · Instruments · Software

www.futek.com



U.S. Manufacturer